

### ◆ Stands for Benchtop Ovens

Bring your oven to a more ergonomic height

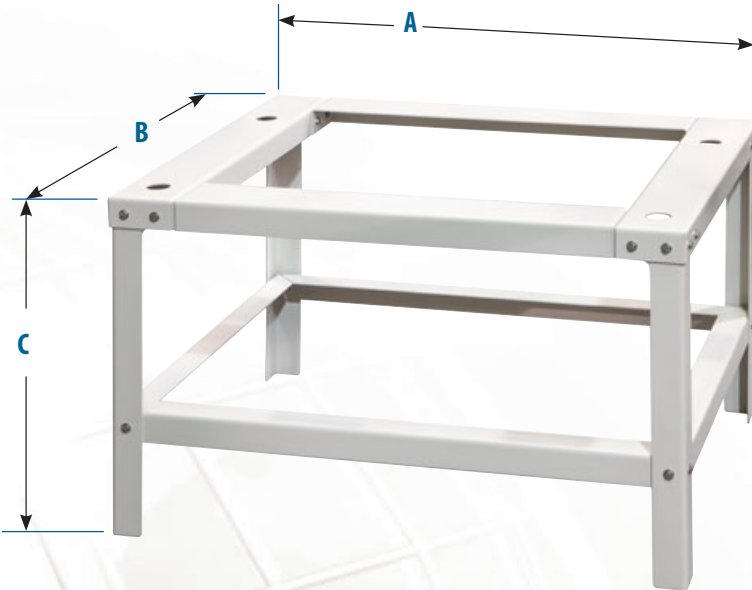


Despatch offers standard oven stands designed for use with our benchtop ovens. These stands are designed to provide the right height for optimal ergonomics. There is a skirted stand made of stainless steel for LCC ovens. All others painted steel with an open shelf for added structural support.



	A - WIDTH	B - DEPTH	C - HEIGHT
<b>PHYSICAL SPECIFICATIONS</b>			
LBB1-23 Stand	23.75 in	25.00 in	27.75 in
LBB1-69 Stand	35.75 in	22.00 in	27.75 in
LBB2-12 Stand	35.75 in	22.00 in	21.75 in
LBB2-18 Stand	42.75 in	26.50 in	21.75 in
LBB2-27 Stand	42.75 in	39.50 in	21.75 in
LAC1-38 -8 Stand	31.09 in	25.71 in	22.00 in
LAC1-67-8 Stand	36.09 in	27.85 in	22.00 in
LAC2-12-8 Stand	36.08 in	31.85 in	16.00 in
LAC2-18 -8 Stand	47.60 in	31.85 in	16.00 in
RAD/RFD1-42 Stand	46.24 in	26.50 in	22.00 in
LCC1-16 Skirted Stand *	32.50 in	32.38 in	23.69 in
LCC1-51 Skirted Stand*	40.50 in	39.38 in	18.19 in

\*LCC skirted stands include leveling feet.



### SERVICE AND TECHNICAL SUPPORT

service parts: 1-800-473-7373  
international service/main: 1-952-469-8230  
service fax: 1-952-469-8193  
service@despatch.com  
parts@itweae.com

### GLOBAL HEADQUARTERS

main phone: 1-800-726-0110  
international/main: 1-952-469-5424  
sales: 1-800-726-0550  
international/sales: 1-952-469-8240  
sales@despatch.com

### WWW.DESPATCH.COM

8860 207th Street West  
Minneapolis, MN 55044 USA

**Despatch**  
Thermal Processing Technology **ITW EAE**