

**FIELD SERVICE BULLETIN**

**Subject:** Setting up Digital Inputs on the Protocol 3 Control

The Protocol 3 control can be run by external inputs wired to the control from an external source such as a PLC or switches on a control panel (a standard setup is shown in Figure 1).

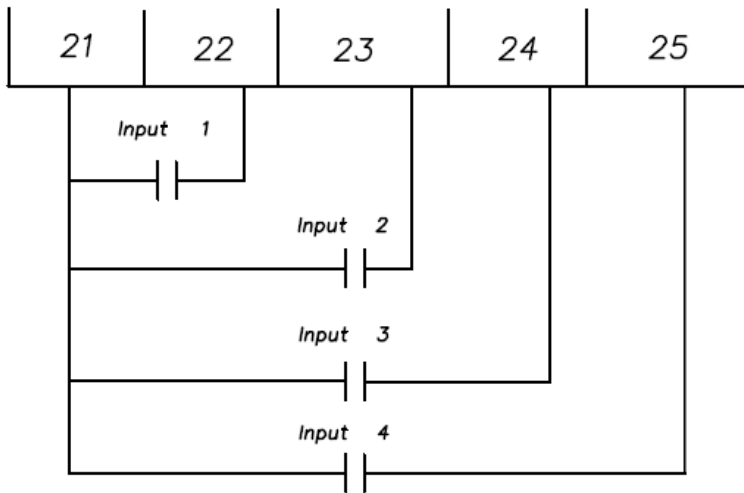


Figure 1: Digital Input Wiring

In order to enable this feature go to the Profile Menu, then in General Configuration, Remote Profile Control must be set to 'Enable' (while this feature is enabled, profiles can only be run by the digital inputs and cannot be run as normal from profile mode). The external run operation can Run, Hold or Stop profiles indexed in positions 1-7 in the memory of the control. The truth table in Figure 2 shows the profile selection

Input 1	Input 2	Input 3	Index Selection
ON	OFF	OFF	1
OFF	ON	OFF	2
ON	ON	OFF	3
OFF	OFF	ON	4
ON	OFF	ON	5
OFF	ON	ON	6
ON	ON	ON	7
OFF	OFF	OFF	none

Figure 2: Input Settings

Input 4 controls the action of the selected profile in the following way:

- Switch from OFF to ON will Start the selected profile, or continue it if it is currently in Hold.
- Switch from ON to OFF will Hold a profile that is running.
- Switch from ON to OFF will Stop a profile that is running if Input 1-3 are also OFF.